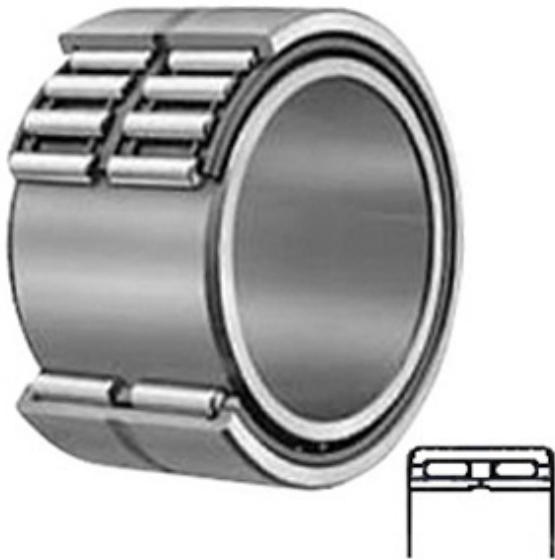




MACHINE PRECISION AXLE CORP.



1.772 Inch | 45 Millimeter x 2.677 Inch | 68
 Millimeter x 1.575 Inch | 40 Millimeter
CONSOLIDATED BEARING NA-6909 C/3
 Needle Non Thrust Roller Bearings

Bearing No. NA-6909 C/3

NA-6909 C/3 Bearing 2D drawings and 3D CAD models

Category	Needle Non Thrust Roller Bearings
Inventory	0.0
Manufacturer Name	CONSOLIDATED BEARING
Minimum Buy Quantity	N/A
Weight	0.559
EAN	0644075079211
Product Group	B04144
Rolling Element	Needle Roller Bearing
Component	Complete with Outer and Inner Ring
Enclosure	Open
Self Aligning	No
Retainer	Yes
Number of Rows of Rollers	Double Row
Separable	Inner Ring - Both Sides
Closed End	No
Inch - Metric	Metric
Relubricatable	Yes
Thrust Bearing	No
Long Description	45MM Bore; 68MM Outside Diameter; 40MM Width; Needle Roller Bearing; Complete with Outer and Inner Ring;



MACHINE PRECISION AXLE CORP.

	Open; Not Self Aligning; Retainer; Double Row of Rollers; Inner Ring - Both Sides Separable; No
Other Features	Plain Inner Ring Outer Ring with 2 Retaining Rings C3 Clearance Oil Hole
Category	Needle Non Thrust Roller Bearing
UNSPSC	31171512
Harmonized Tariff Code	8482.40.00.00
Noun	Bearing
Keyword String	Needle
Manufacturer URL	http://www.consbrgs.com
Manufacturer Item Number	NA-6909 C/3
Weight / LBS	1.24
d	1.772 Inch 45 Millimeter
D	2.677 Inch 68 Millimeter
B	1.575 Inch 40 Millimeter